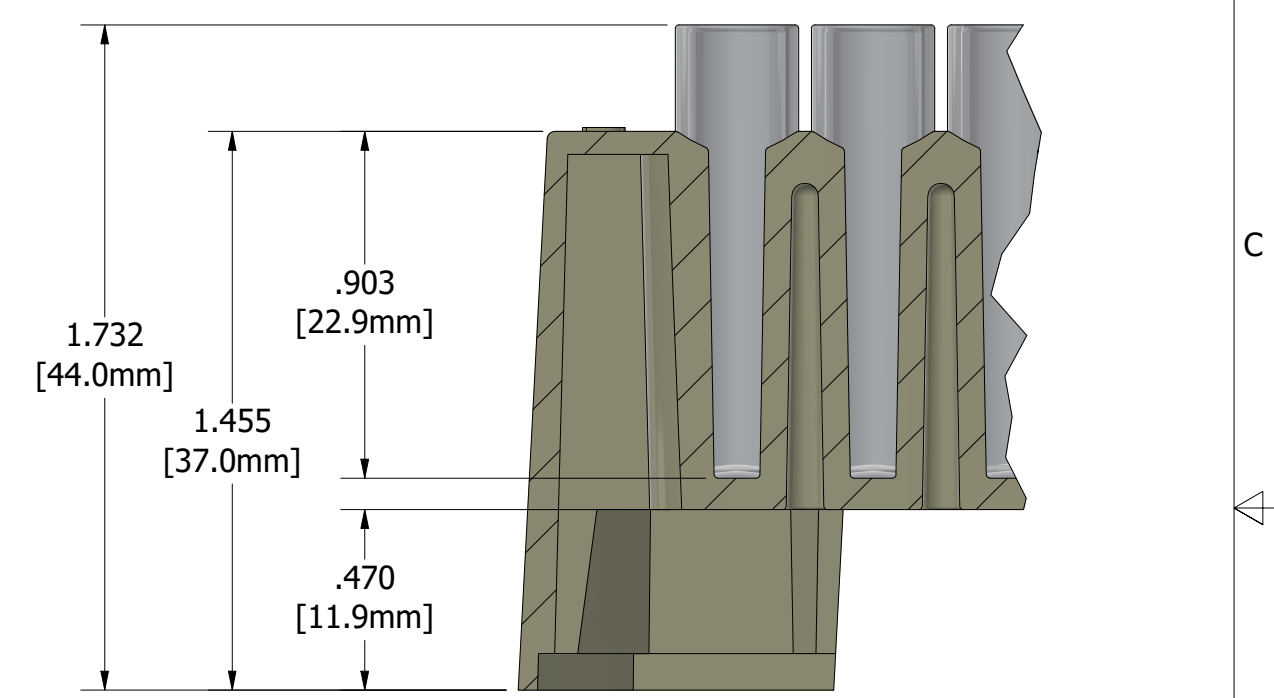
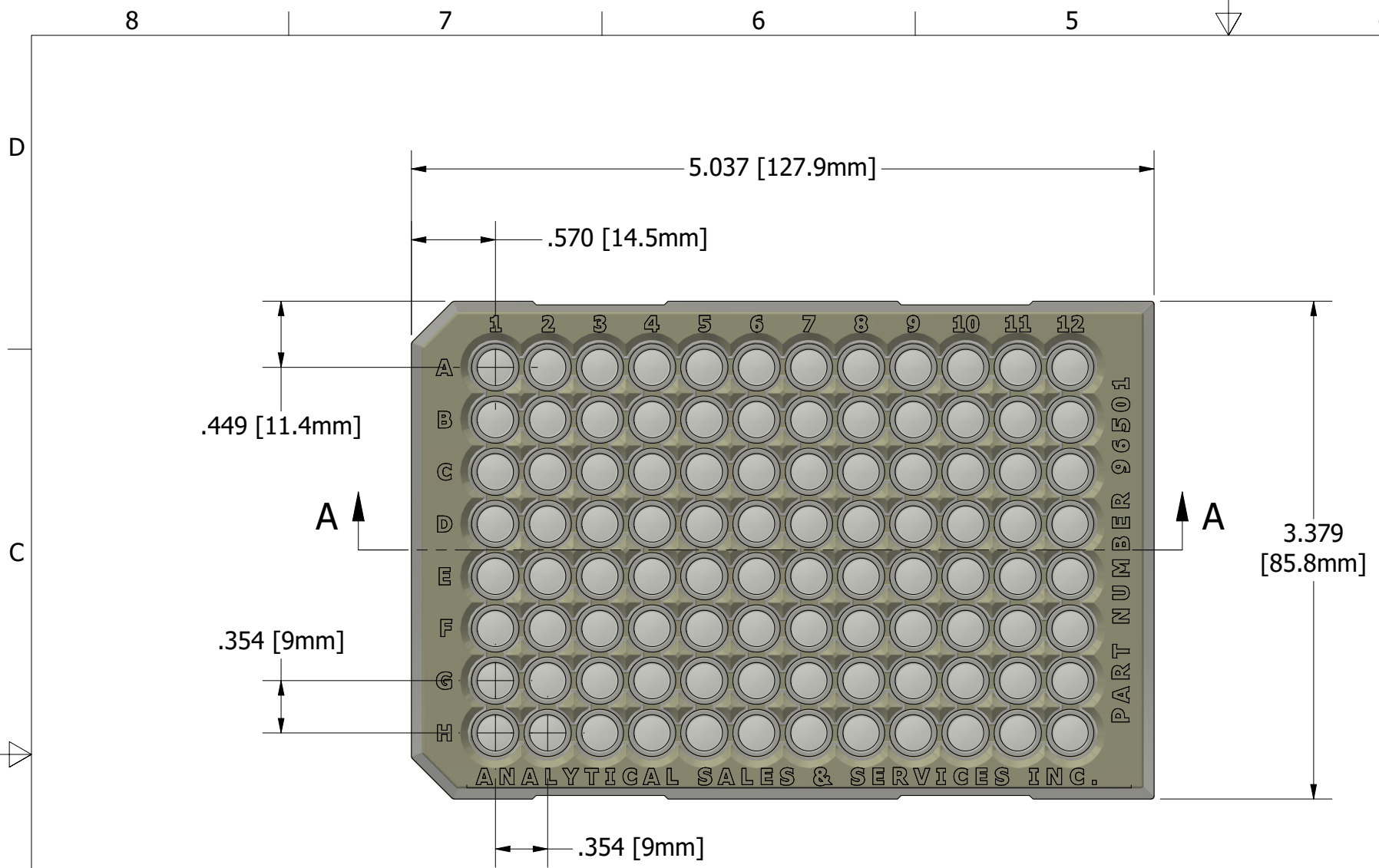
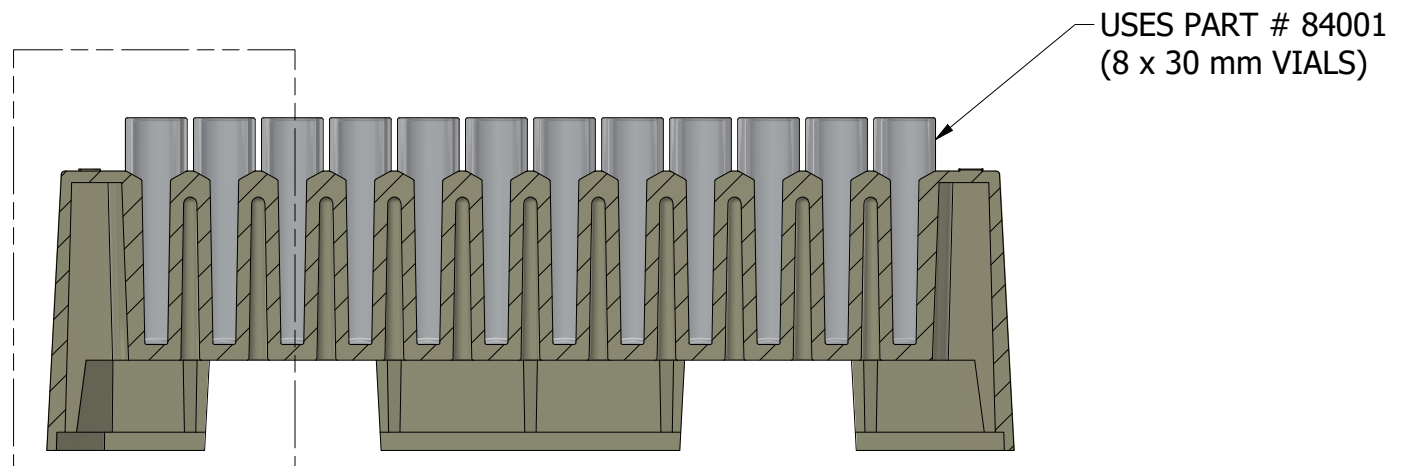


REVISION HISTORY			
REV	DESCRIPTION	DATE	APPROVED
1G	INITIAL PUBLIC PRINT RELEASE	12/07/2022	ENGINEERING



DETAIL B
SCALE 2 : 1



SECTION A-A
SCALE 1 : 1

DRAWN MD	12/07/2022	ANALYTICAL SALES & SERVICES, INC © 2022	
		TITLE PL_96501_rev1g_PUBLIC	
		SIZE B	REV 1G
		SCALE 1 : 1	SHEET 1 OF 1

P